

# imanpack

PACKAGING & ECO SOLUTIONS

## MICROPAC 300 SUPER

Flow-wrapper (HFFS)

Micropac Super 300 horizontal wrapping machine with reel holder from above, suitable for wrapping various types of products using heat sealing film. 3-axis control version also available.



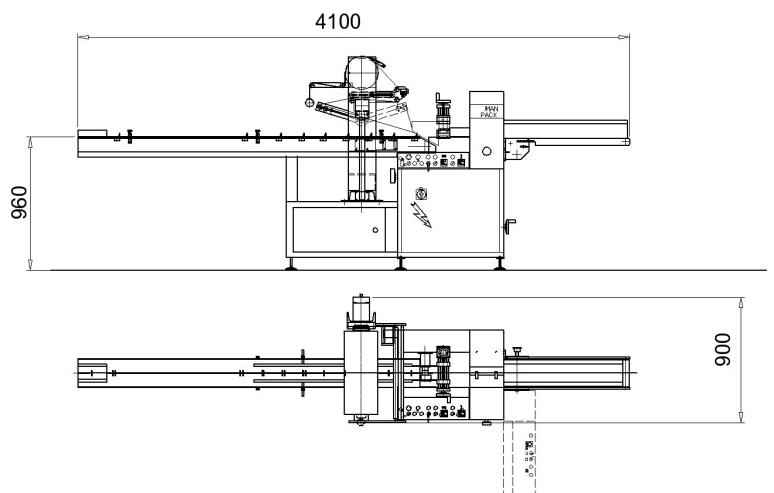


## ACCESSORIES

- Automatic feeder systems.
- Labelling and printing machines.
- Printing centring.

## TECHNICAL FEATURES

- Base and protection casing in painted structural metalwork.
- Paddle wheel conveyor belt for loading products 2500 mm long and 300 mm wide.
- All parts in contact with the product are in stainless steel.
- Food grade plastic rapid extraction product pushers.
- Toothed gearing to achieve different spacing between the conveyor belt paddles (standard 300 and 400 mm).
- Single reel holder from above for reels up to 600 mm wide.
- Adjustable package length.
- Device with toothed coupling to phase the product for cutting.
- Rotating transversal sealing units with 300 mm wide sealing spatulas, with electronic thermoregulator control.
- Longitudinal sealing unit with two drive wheels, two thermoregulator controlled heat sealing wheels and two flap folding wheels.
- Three-phase motor with regulator inverter.
- Universal forming unit.
- Output conveyor belt, 900 mm long.
- Machine built according to CE Standards.



(600 mm reel version)

layout

# imanpack

PACKAGING & ECO SOLUTIONS

Via Lago di Bolsena, 19 36015 Schio (VI) ITALY  
Tel. +39.0445.578.811 Fax+39.0445.575.111  
www.imanpack.it email: info@imanpack.it