

imanpack

PACKAGING & ECO SOLUTIONS

VENUS PLUS

Automatic wrapper (HFFS)

Intermittent wrapper. The Venus Plus is silent, reliable, easy to operate and requires minimum maintenance. It runs polyolefin and polyethylene film.



Package height

Up to 200 mm

Speed

Up to 4200 packages/h

Film size

Max diameter 350 mm

Max width 600 mm

Film thickness

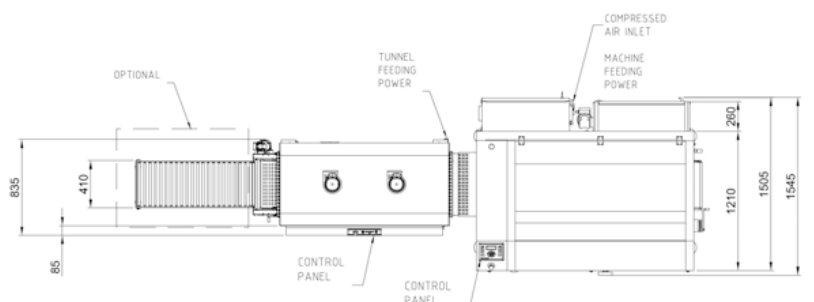
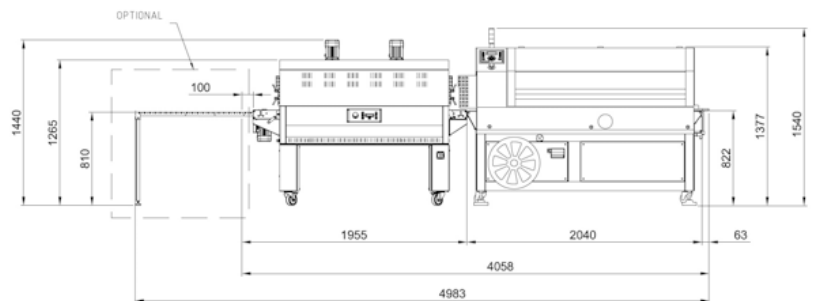
from 30 to 80 μ m





TECHNICAL FEATURES

- Intermittent longitudinal sealing unit.
- Cross sealing bar with PTFE-coated sealing blade controlled by inverter and encoder.
- Motorized sealing centering system.
- Flexmod® control system with:
 - graphic LCD control panel
 - 32-bit microprocessor
 - inverters for each motor
 - In/Out control modules for analog or digital input/output
 - thermocouple-reading control
- This system is able to simply and precisely check all operations:
 - automatic check for transversal bar height
 - longitudinal and transversal sealing temperature adjustment
 - sealing time adjustment
 - possibility of packaging single packs or groups of products
 - process statistics
- Up to 20 storable production programs.
- Film tension decreasing system placed before the cross bar and the longitudinal sealing unit.
- Side motion device for the longitudinal sealer.
- Machine built according to CE Standards.



layout

imanpack

PACKAGING & ECO SOLUTIONS

Via Lago di Bolsena, 19 36015 Schio (VI) ITALY
 Tel. +39.0445.578.811 Fax+39.0445.575.111
 www.imanpack.it email: info@imanpack.it